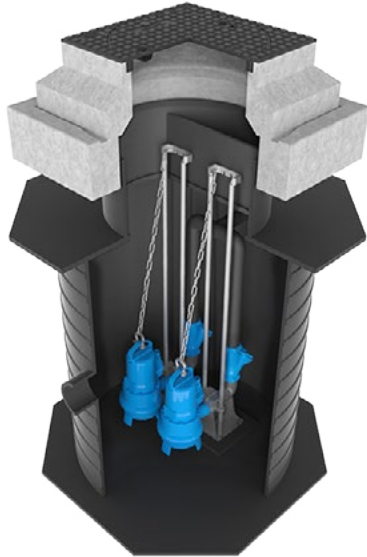


PLUG AND PLAY PUMPING STATIONS - HDPE TYPE FLOWFIX FOR WASTEWATER, STORMWATER AND DRAINAGE WATER



The Aquafix FLOWFIX plug and play pumping stations are designed for efficient removal of wastewater, stormwater and drainagewater. The body of these pumping stations is manufactured out of durable 1st. class new HDPE material. The pumping stations are standard equipped with a PE/PP telescopic manhole cover DN 600 or 800mm load class A. 15kN (EN 124). For a small surcharge you can opt for a cover class B. 125kN. or D. 400kN.

All the pipes for bodies for the pump pits mentioned underneath we have in stock. In a very short time we can also deliver your custom made pumping station at your desired location. We also have a large stock of wastewater pumps in our own warehouse. Our own production workshop is fully equipped and we build the system quickly en and efficiently for you, including pipework, valves and coupling systems inside.

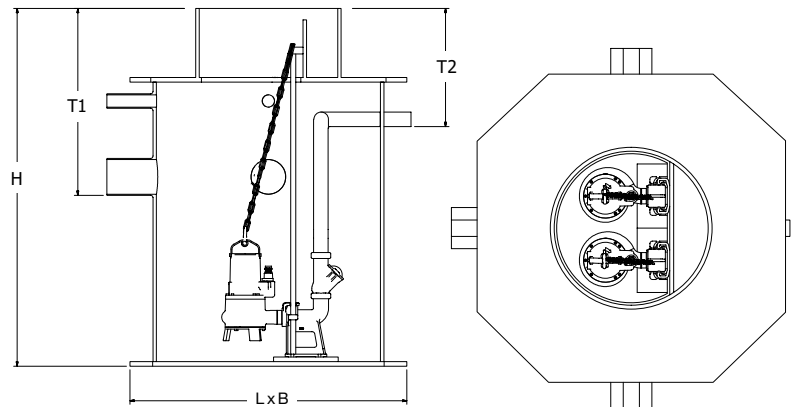
You can choose a single or double pump system, depending on the requirements of your client. Depending on the situation you can choose a vortex-, channel- or cutting impeller. Our pump systems are available in 220 volt and 400 volt version. Depending on the type of pump and the price you can opt for auto coupling with guide rail or free standing with a simple three part coupling (we only use stainless steel guide rails and lifting chains). We only use high quality pumps made of cast iron or stainless steel of the following brands: Homa pumps, Grundfos, Lowara and Flygt, but you can also choose your own pump brand.

Benefits:

- For underground installation to use for light or heavy traffic Class A. 15kN until Class D. 400 kN
- From high quality 1st. Class new HDPE
- Compact design with pipework, valves and coupling systems inside
- Pipe systems inside of high quality pressure HDPE
- Solutions tailor-made for standard prices
- Level controls are accessible from the top providing easy adjustment from outside the pit
- Great choice of different pits and options

Options:

- Available for underground or above ground installation
- Available in single or double pump system
- Available with a free standing pump with a simple three part coupling or with an auto coupling with guide rail
- Equipped with reinforced concrete bottom
- Available with or without control box with level measurement
- Control box with GSM module for telemetry is possible
- Control box for outdoor installation is possible
- Choice for level control for float or hydrostatic pressure transducer



Type AQUAFIX®	Useful Content min.	Useful Content max.	Body Ø	External L x B	Total min. Height	Total max. Height	Inlet Depth min.	Inlet Dept max.	Total Weight
310.0315.12/50	50 liter	285 liter	315 mm	400x400 mm	1250 mm	5000 mm	500 mm	4250 mm	30 / 85 kg
310.0400.12/50	85 liter	480 liter	400 mm	500x500 mm	1250 mm	5000 mm	500 mm	4250 mm	40 / 100 kg
310.0500.12/50	130 liter	750 liter	500 mm	600x600 mm	1250 mm	5000 mm	500 mm	4250 mm	55 / 135 kg
310.0630.12/50	215 liter	1250 liter	630 mm	750x750 mm	1250 mm	5000 mm	500 mm	4250 mm	75 / 185 kg
310.0800.12/50	315 liter	2000 liter	800 mm	950x950 mm	1250 mm	5000 mm	500 mm	4250 mm	100 / 250 kg
310.1000.12/50	550 liter	3100 liter	1000 mm	1150x1150 mm	1250 mm	5000 mm	500 mm	4250 mm	150 / 350 kg
310.1200.12/50	850 liter	4800 liter	1200 mm	1350x1350 mm	1250 mm	5000 mm	500 mm	4250 mm	225 / 450 kg
310.1400.12/50	1100 liter	6200 liter	1400 mm	1550x1550 mm	1250 mm	5000 mm	500 mm	4250 mm	275 / 500 kg
310.1500.12/50	1325 liter	7500 liter	1500 mm	1650x1650 mm	1250 mm	5000 mm	500 mm	4250 mm	350 / 750 kg

Dimension in mm, storage in liters and weight in kilograms

Subject to changes