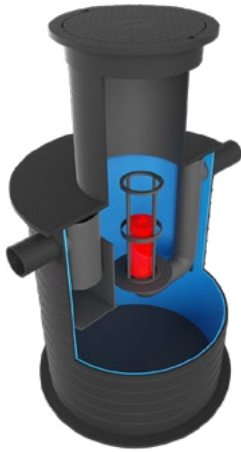


INTEGRAL LIGHT LIQUID & OIL SEPARATORS - HDPE TYPE CLEARO-G TO EN 858/DIN 1999-100



The Aquafix CLEARO-G light liquid & oil separators remove gasoline and light liquids of mineral origin out of wastewater from petrol stations, car washes, automotive workshops and industry. These separators are equipped with integrated sludge trap and are manufactured according to the European standard EN 858 / DIN 1999-100 and have a CE Mark and a EC Declaration of Performance.

The separators are tested, rated and certified for use and functionality by the accredited institute TÜV LGA. The separator housing is manufactured out of durable 1st. class new HDPE material.

The internal parts of the separators are made out of durable KOMO certified PE. The separators are standard equipped with a PE/PP telescopic manhole cover DN 600mm load class: A. 15kN. For a small surcharge you can opt for a cover class B. 125kN or class D. 400kN

EN-858

Benefits:

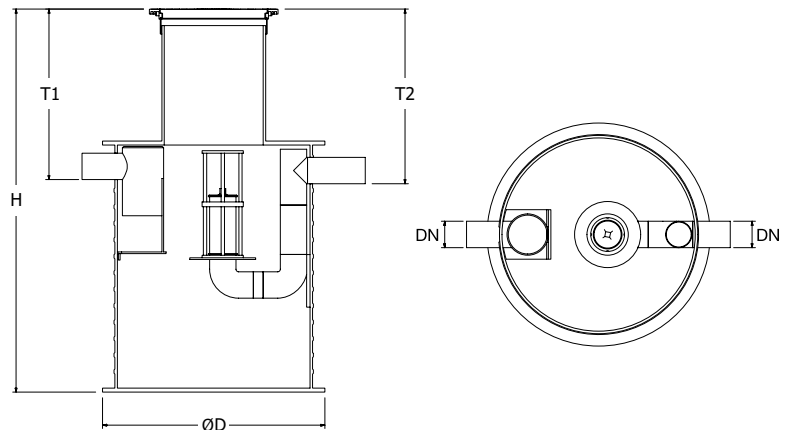
- For underground installation
- Compact design
- Manufactured out of durable HDPE
- Internal parts of durable PE (KOMO certified)
- Manufactured according to EN 858/DIN1999-100
- Customized production on request

Options:

- Above ground installation model
- Coalescence filter module
- Pumping station
- Flexible connectors
- Oil level alarmsystem
- Control chamber

Certificates:

- CE Mark
- EC Declaration of Performance
- European Regulation Construction product 305/2011/EU
- LGA TÜV tested and certified for use and functionality



Type AQUAFIX®	Nominal Sizes	Sludge Storage	Oil Storage	DN Ø	D Ø	H Min.	T1	T2	Covers Qty	Total Weight	Emission by TÜV
205.3810.0010	1 ½	600 liter	140 liter	125	1150	1690	520-900	545-925	1	195	16 mg/ltr.
205.3812.0013	1 ½	1200 liter	205 liter	125	1350	1955	520-900	545-925	1	245	16 mg/ltr.
205.3810.0030	3	600 liter	140 liter	125	1150	1690	520-900	545-925	1	200	16 mg/ltr.
205.3812.0033	3	1200 liter	205 liter	125	1350	1955	520-900	545-925	1	250	16 mg/ltr.
205.3810.0060	6	600 liter	140 liter	125	1150	1690	520-900	545-925	1	205	16 mg/ltr.
205.3812.0063	6	1200 liter	205 liter	125	1350	1955	520-900	545-925	1	255	16 mg/ltr.
205.3812.0080	8	800 liter	250 liter	160	1350	1730	540-900	565-925	1	240	21 mg/ltr.
205.3814.0084	8	1600 liter	325 liter	160	1550	2125	540-900	565-925	1	310	21 mg/ltr.
205.3815.0085	8	2000 liter	400 liter	160	1650	2160	540-900	565-925	1	335	21 mg/ltr.
205.3812.0100	10	1000 liter	250 liter	160	1350	1905	540-900	565-925	1	265	21 mg/ltr.
205.3812.0101	10	1200 liter	250 liter	160	1350	2090	540-900	565-925	1	275	21 mg/ltr.
205.3815.0104	10	2000 liter	400 liter	160	1650	2160	540-900	565-925	1	340	21 mg/ltr.
205.3815.0150	15	1500 liter	497 liter	200	1650	2155	580-900	605-925	1	345	13 mg/ltr.
205.3815.0151	15	2000 liter	497 liter	200	1650	2430	580-900	605-925	1	385	13 mg/ltr.

Dimension in mm, storage in liters and weight in kilograms

Subject to changes